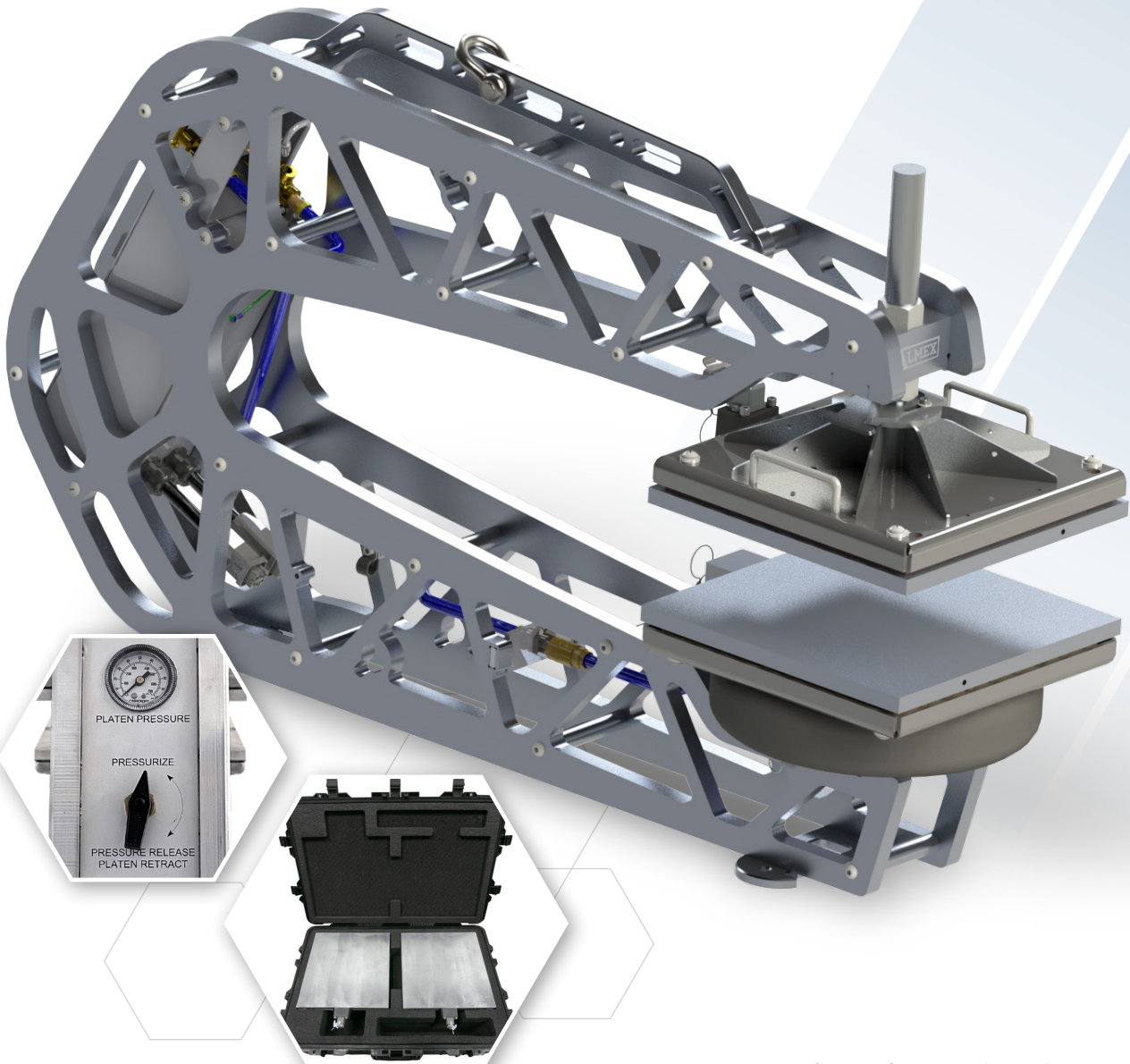


SSP MAX

HEAVYWEIGHT SPOT & RIP REPAIR PRESS

The **SuperSpotter Max** (SSP MAX) is the latest Almex spot and rip repair press for heavyweight rubber belt maintenance. Use these presses to repair small tears and punctures in the field or shop. The SSP MAX comes with 305 mm x 305 mm (12" x 12") platens, 7 kg/cm² (100 PSI) and 2 sizes suitable for 1500 mm (60") and 2000 mm (78") belt width.



*Specifications & features may change. Almex reserves the right to update or change details, specifications and features as needed without prior notice. Check with your Almex Sales Associate to confirm specifications and availability.

GL

Shaw Almex
Mining Equip. (Tianjin) Co. Ltd.
☎ +86 (22) 2388-9075

PT. Shaw Almex
Indonesia
☎ +61 488 780243

Shaw Almex
Pacific Pty Ltd. Qld
☎ 61 7 4774 2011

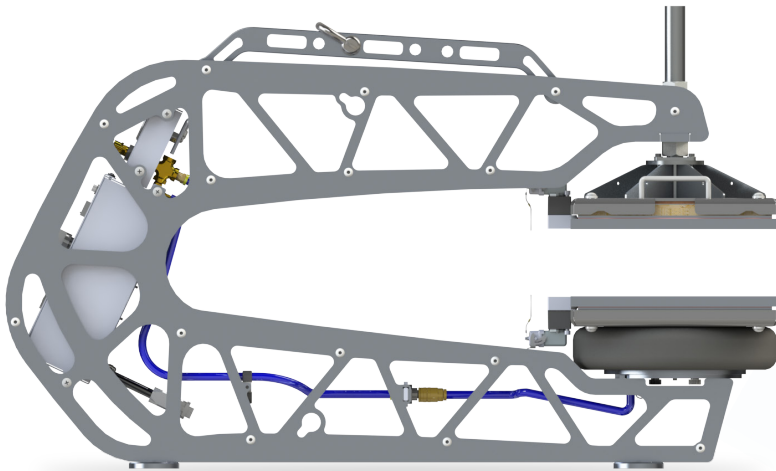
Shaw Almex
Pacific Pty Ltd. WA
☎ 61 8 9358 5860

Shaw Almex
India PVT. Ltd.
☎ 91-129-2274624

www.almex.com 1.800.977.5423

FEATURES:

- A Lightweight, Strong and Portable Aluminum Frame:
 - Lighter frame than the traditional SSP4 Model (~5%)
 - Convenient handles on the frame and upper platen
 - 3 lift hooks on the top handle for positioning in the field
 - Maximum Belt Width:
 - 1.5M: 1500 mm | 60" or
 - 2M: 2000 mm | 78"
- Reliable Pressure and Heating controls
 - Dual voltage; 110V – 220V
 - Quick connect air connector
 - Unique air spring actuator pressure system for quick, even pressure inflation
 - P.I.D. temperature controller produces accurate temperature profile
- Includes pressure safety relief valve
 - In frame controls for temp., pressure, & cooling
 - Expanded graphite heating element provides very fast heat up time, 10 minutes at 110V and 10 minutes at 220V
 - CE Certified
- Quality Almex 305 mm x 305 mm (12" x 12") platens:
 - Custom "Extruded Plank" fast cooling system within platens
 - Platens swivel to 45 degrees
 - 65 mm (2 1/2") of Daylight Opening
 - Removable platens with carry case for ease of transportation



OPTIONS:

- 1500 mm or 2000 mm maximum belt width
- Available with remote controls for T2, T6
- Ground Fault unit are available on request
- Ability to link multiple SSP MAX frames to utilize a longer platen for rips, available as a custom order on request

SSP MAX 1.5M

SPECIFICATIONS

SSP MAX 2M

SSP-MAX-1212-60	METRIC	IMPERIAL
Press Length	1190 mm	46 3/4"
Press Throat Length	776 mm	30 9/16"
Press Width	317.5 mm	12 1/2"
Press Height	686 mm	27"
Platen Dimensions	305 mm x 305 mm	12" x 12"
Platen Carry Case Dimensions	818 mm x 530 mm x 333mm	32 1/4" x 21 x 13 1/4"
Platen Carry Case Weight	11.5 kg	25 lbs.
Frame Weight	20 kg	45 lbs.
Press Weight (Platens Removed)	23 kg	50 lbs.
Total Platen Weight	22 kg	48 lbs.
Total Press Weight	54 kg	120 lbs.

SSP-MAX-1212-78	METRIC	IMPERIAL
Press Length	1470 mm	57 7/8"
Press Throat Length	1010 mm	39 3/4"
Press Width	317.5 mm	12 1/2"
Press Height	710 mm	28 3/4"
Platen Dimensions	305 mm x 305 mm	12" x 12"
Platen Carry Case Dimensions	818 mm x 530 mm x 333mm	32 1/4" x 21 x 13 1/4"
Platen Carry Case Weight	11.5 kg	25 lbs.
Frame Weight	41 kg	90 lbs.
Press Weight (Platens Removed)	43 kg	95 lbs.
Total Platen Weight	22 kg	48 lbs.
Total Press Weight	65 kg	143 lbs.

*Specifications & features may change. Almex reserves the right to update or change details, specifications and features as needed without prior notice. Check with your Almex Sales Associate to confirm specifications and availability.

GL